

MESSRS :

---

PRODUCT DRAWING

---

CUSTOMER'S PRODUCT NAME:

---

TDK PRODUCT NAME: DC/AC INVERTER UNIT  
CXA-0271

---



TDK Corporation

Corporate Headquarters  
13-1, Nihonbashi 1-chome, Chuo-ku,  
Tokyo 103, JAPAN  
Telephone : 03-3278-5111  
2-15-7, Higashi-Ohwada, Ichikawa-shi,  
Chiba, 272-8558 JAPAN  
Telephone : 047-378-9671  
Fax : 047-378-9673

PREPARED BY	APPROVED BY	AUTHORIZED BY
<i>Dec. 12, 2002 S.Sasaki</i>	<i>Dec. 12, 2002 T.Domon</i>	<i>Dec. 12, 2002 M.Yamada</i>

DWG.No.	CTR-0728-A
---------	------------

## Precautionary Notes Regarding the Use of This Inverter

**When using this product, give due consideration to the precautionary notes described below and ensure a safe design. Inappropriate use may result in electric shock, injury or fire.**



### Warning



- This product is subject to high voltage. Do not touch it while the power is on. Failing to do so may result in electric shock.



### Caution

- This product is designed for the lighting of a Cold Cathode Fluorescent Lamp. Do not use it with any other load.
- Store this product under the conditions defined in the specification document.
- Do not store this product in an environment where dust, dirt or corrosive gas (salt, acid, base, etc.) is present.
- This product is subject to high voltage. If there is a possibility that the user may touch the product, provide a proper indication in order to draw the user's attention.
- This product is designed for use with general electronic equipment. If it is to be used with medical equipment that directly affects human life or for the control of transportation equipment to which passengers entrust their lives, provide thorough fail-safe measures.
- Avoid using this product under high temperatures or high humidity or in an environment in which dust, dirt or any corrosive gas (salt, acid, base, etc.) is present. Also, be careful not to allow the formation of dew condensation. It may result in damage or electric shock.
- If the product does not have a built-in protective circuit (circuit breaker, fuse, etc.), it is recommended that a fuse be used at the input stage to prevent the generation of smoke or fire in the event of a malfunction. Even when the product has a built-in protective circuit (circuit breaker, fuse, etc.), the circuit may not function properly due to inappropriate operating conditions or power-supply capacity. It is recommended that an appropriate protective circuit (circuit breaker, fuse, etc.) be provided separately from the built-in circuit.
- Use the product only within the specified input voltage, output power, output voltage and operating temperature ranges. Exceeding these values may result in damage, etc.
- Provide a measure for the prevention of surge voltage due to lightning, etc. Abnormal voltage may result in damage, etc.
- To prevent problems arising from short-circuiting of the high-voltage section, provide appropriate measures to prevent the entry of foreign substances following installation.
- This product is not designed to provide resistance to radiation.

### Handling Precautions

- This product uses thin wires. Observe the following precautions and handle it with care so as not to cause wire breakage. Broken wire may result in damage, etc.
  - Do not stack multiple products on top of one another.
  - Do not allow the product to come in contact with tools, etc.
- Do not apply excessive stress during installation. It may cause chipping and cracking, resulting in damage, etc.
- Provide a clearance of 2 mm or more between the high-voltage section of this product and the frame body on which the product is installed and also the conductor section (pattern, pad, etc.).

	PRODUCT NAME or MODEL, TITLE		
	DC-AC INVERTER CXA-0271		
TDK CORPORATION	NAME OF DRAWING	DRAWING No.	PAGE
	PRODUCT DRAWING	CTR-0728-A	1

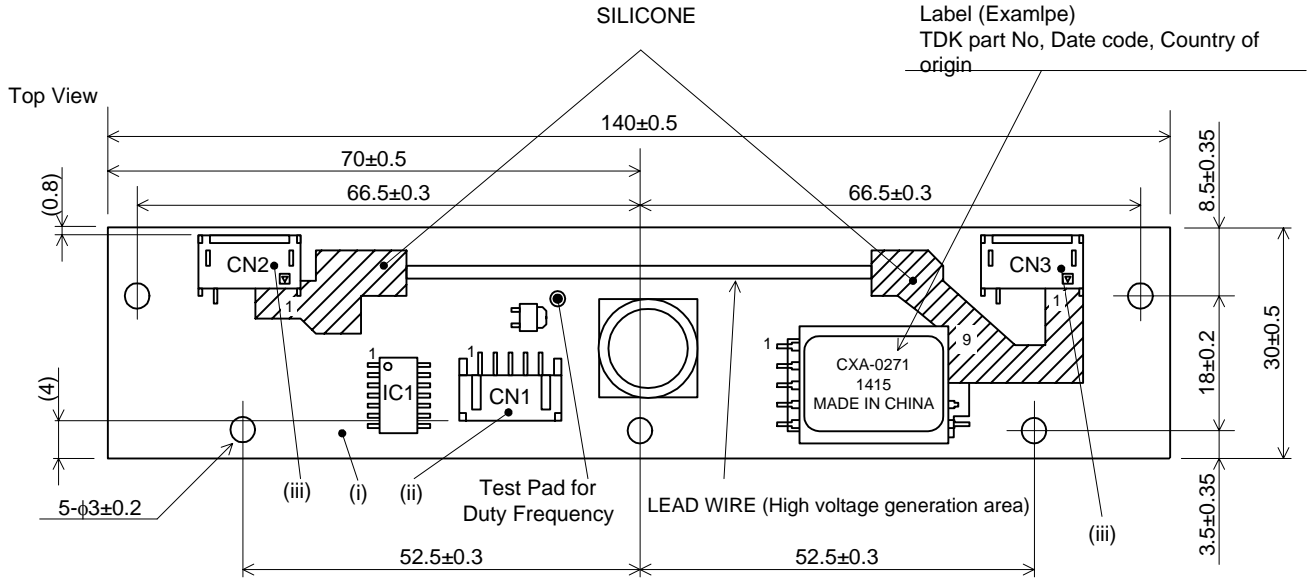
- The specifications may be changed without any notice.
- When placing orders, please confirm "Specifications" or "Product Drawing" through TDK sales or distributors.

●Features●

- This inverter is for two lamps. It has Dimming function and Remote function.
- With lamp failure detector.  
 Normal Operation : CN1-4=0V  
 Some Lamps Open : CN1-4=5V
- The high-voltage area (terminals and patterns) is coated with silicone so as to avoid the defects caused by dust.

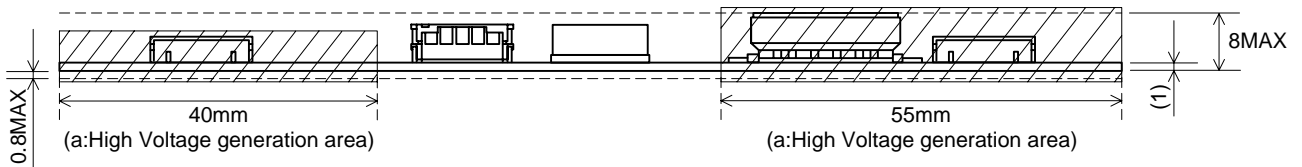
[1] Outline

1-1. Outline

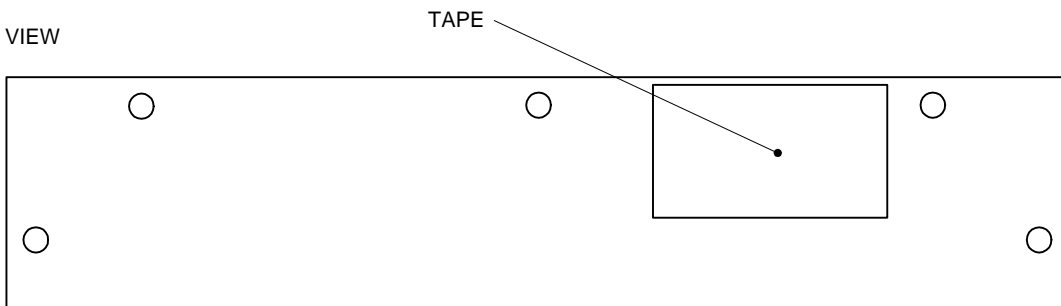


Note1-1. A slanted line department in an upper figure expresses silicone application position.

SIDE VIEW



BOTTOM VIEW



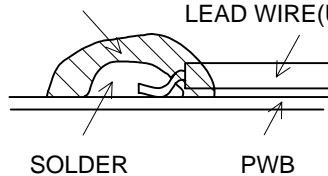
Sectional view

SILICONE(SE9168RTV)

LEAD WIRE(UL3239 10kV)

Unit:mm

Weight:21.0g.typ.



PRODUCT NAME or MODEL, TITLE			
DC-AC INVERTER CXA-0271			
TDK CORPORATION	NAME OF DRAWING	DRAWING No.	PAGE
	PRODUCT DRAWING	CTR-0728-A	2

No.	Part Description	Material	QU	REMARK	MATES WITH
(i)	PCB	Composite (CEM-3)	1	UL94V-0 t=1.0	-
(ii)	Input Connector CN1	S5B-PH-SM3	1	JST	PHR-5
(iii)	Output Connector CN2,CN3	SM02(8.0)B-BHS-1	2	JST	BHR-03VS-1

1-2. Connector Configuration

Input side CN1

Pin No.	Symbol	Rating	Notes
CN1-1	Vin	10.8~13.2V	Input Voltage
CN1-2	GND	0V	GND
CN1-3	Vbr	0~2.5V	Control
CN1-4	Vst (Output)	0 / 5V	The warning signal 5V in abnormal circumstances
CN1-5	Vrmt	0~13.2V	0~0.4V OFF / 2.5~13.2V ON

Output side CN2

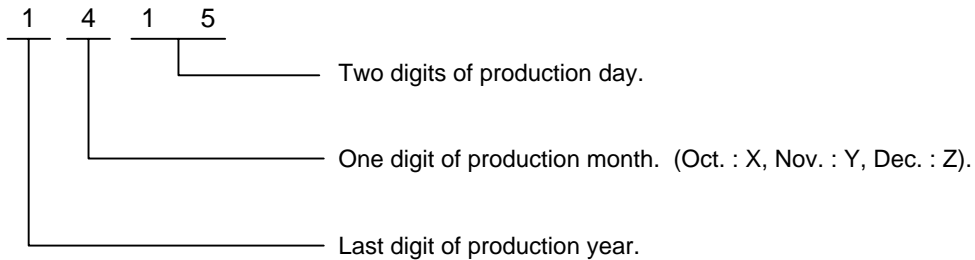
Pin No.	Symbol	Rating	Notes
CN2-1	VHIGH1	460Vrms	Output1
CN2-3	VLOW1	(5V)	Output1 Return

Output side CN3

Pin No.	Symbol	Rating	Notes
CN3-1	VHIGH2	460Vrms	Output2
CN3-3	VLOW2	(5V)	Output2 Return

Note1-2. Marking of TDK part No, Date code, Country of origin.

- 1) TDK part No., Date code, Country of origin, is marked on the transformer.
- 2) Date code example. (ex. APR. 15. 2001)



- 3) Country of origin code example. (ex. MADE IN JAPAN. MADE IN CHINA).

Note1-3. For circuit connection, please refer to test circuit diagram [4].

Note1-4. Please use minimum of 2mm clearance (all directions) between inverter high voltage area and any conductors. Please refer to mechanical drawing for marking of high voltage area.

Note1-5. Open voltage (strike voltage) is measured across the transformer secondary winding at no load as the reading at the output connector would be less than the actual value.

Note1-6. If the start up voltage falls below Cold Cathode Tube strike voltage, the CCFL will not light up easily specially at lower ambient temperature. Please review mounting instruction to avoid any abnormal operation due to coupling/leakage capacitance of inverter high voltage area to any surrounding conductor.

Note1-7. Please check your lamp characteristic for minimum operational current and set the limit point in your design to avoid flickering and/or abnormal operation.

Note1-8. For proper operation of circuit protection (FUSE or IC PROTECTOR), Please use minimum of 2A capacity for input power supply.

	PRODUCT NAME or MODEL, TITLE		
	DC-AC INVERTER CXA-0271		
TDK CORPORATION	NAME OF DRAWING	DRAWING No.	PAGE
	PRODUCT DRAWING	CTR-0728-A	3

[2] Absolute maximum ratings

Item	Symbol	Specification	Unit	Notes
Input Voltage	Vin	0~14.4	V	
	Vrmt			
	Vbr	0~3		
Load Resistance	RL1,2	85	kΩ	
Operating Temp. range	Ta	0~60	°C	
Storage Temp. range	Ts	-30~85	°C	
Humidity range	RH	95	%RH	A maximum wet ball temperature is 38°C No dew

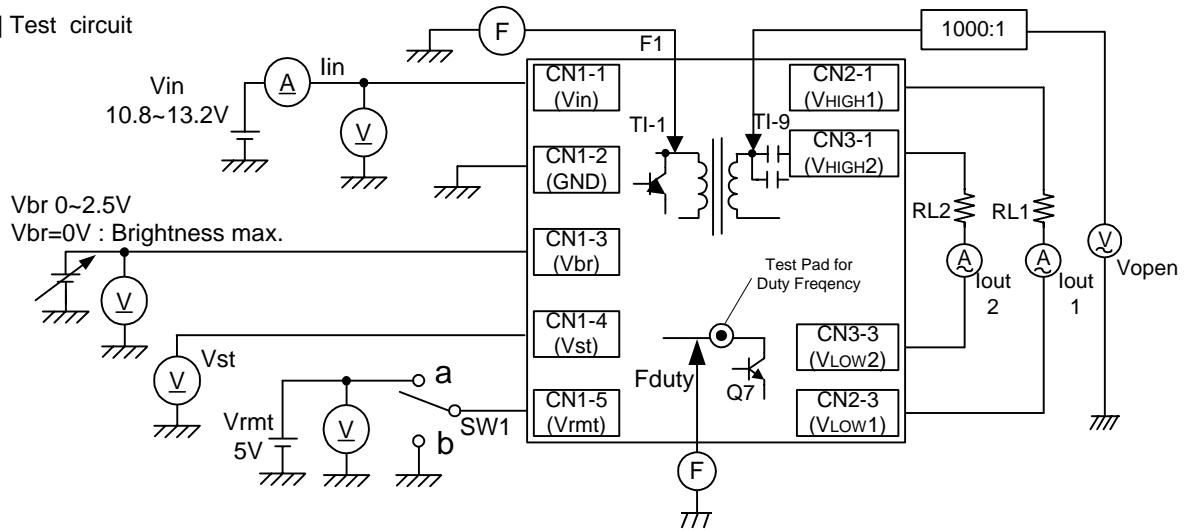
[3] Electrical specifications

Item	Symbol	Conditions					Specification			Unit
		Vin(V)	Vrmt(V)	Vbr(V)	Ta(°C)	RL1(kΩ)/RL2(kΩ)	MIN.	TYP.	MAX.	
Output Current (Brightness max.)	Io1/2	12±0.1	5±0.25	0	23±5	74±0.5 / 74±0.5	5.7	6	6.7	mArms
		12±1.2	5±0.25	0	0~60	74±0.5 / 74±0.5	5	6	7	
Output Current (Brightness min.)	Io1/2	12±0.1	5±0.25	2.5±0.05	23±5	74±0.5 / 74±0.5	1.2	2	2.8	
Input Current 1	Iin1	12±1.2	5±0.25	0	23±5	74±0.5 / 74±0.5	-	0.55	0.7	A
Input Current 2	Iin2	12±1.2	0~0.4	0	23±5	74±0.5 / 74±0.5	-	-	1	mA
Frequency	F1	12±1.2	5±0.25	0	23±5	74±0.5 / 74±0.5	38	43	48	kHz
Frequency (Duty)	F2	12±1.2	5±0.25	2.5	23±5	74±0.5 / 74±0.5	254	305	356	Hz
Open Circuit Voltage	Vopen	12±1.2	5±0.25	0	23±5	∞ / ∞	1.25	1.5	-	kVrms
Warning Signal	Vst	12±0.1	5±0.25	0~2.5	23±5	74±0.5 / ∞	4.5	5	5.5	V
		12±0.1	5±0.25	0~2.5	23±5	∞ / 74±0.5	4.5	5	5.5	
		12±0.1	5±0.25	0~2.5	23±5	∞ / ∞	4.5	5	5.5	
		12±0.1	5±0.25	0~2.5	23±5	74±0.5 / 74±0.5	-	-	0.5	

Note3-1. The brightness of the lamp changes at the change and this level , too ,  
when the direction changes the input voltage lower than 12V of the standard.

PRODUCT NAME or MODEL, TITLE			
DC-AC INVERTER CXA-0271			
TDK CORPORATION	NAME OF DRAWING	DRAWING No.	PAGE
	PRODUCT DRAWING	CTR-0728-A	4

[4] Test circuit



\*For the number of the component's position, please refer to Outline diagram [1].

Note4-1. SW1(ON/OFF) Operation is as following;

SW1	Operation of unit
a	Operation
b	Non operation
Open	Non operation

Note4-2. Test Equipments

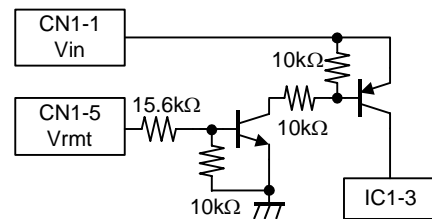
- (V) Digital Multiple Meter(ADVANTEST R6451A or equivalent)
- (A) DC Current Meter(ADVANTEST R6451A or equivalent)
- (F) Frequency Countor(ADVANTEST R6451A or equivalent)
- (V) True RMS Meter(KEITHLEY 2001 or equivalent.)
- (A) High Frequency Current Meter(KEITHLEY 2001 or equivalent)
- 1000:1 High Voltage Probe(Tektronix P3000 or equivalent)

Note4-3. Safety Function

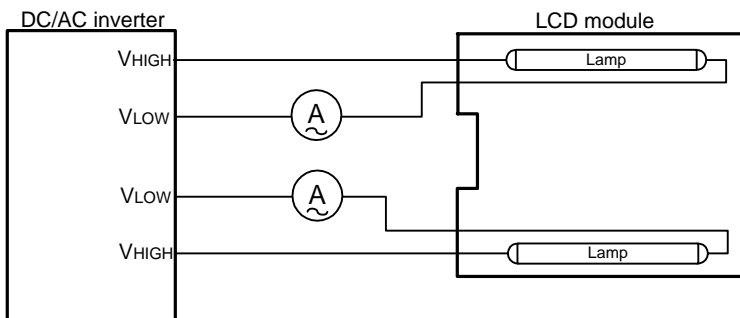
Load Condition	*Alarm Signal (CN1-4)
Normal Operation	0.5V max.
1 Lamp Open	4.75~5.25V
2 Lamps Open	4.75~5.25V

\* In test circuit[4], if RL1 or RL2 opens, then the warning signal will be activated (+5V).

Remote terminal circuit (Reference)



Connection diagram of LCD module (Reference)



\*Connect the High Frequency Current Meter to the Low-Voltage (VLow) side.

PRODUCT NAME or MODEL, TITLE

DC-AC INVERTER CXA-0271

TDK CORPORATION

NAME OF DRAWING

PRODUCT DRAWING

DRAWING No.

CTR-0728-A

PAGE

5

[5] Reliability test

Following test items are assured.

Items	Conditions	Judgement
Low Temp.Non operational	-30°C 1000h	Electrical and apperance should be in the spec.
Low Temp.operational	-10°C 1000h Load cond.:TYP	
High Temp.Non operational	85°C 1000h	
High Temp.operational	70°C 1000h Load cond.:TYP	
Heat shock	-30°C ↔85°C 30min.Each 100 Cycles	
Humidity (Non operational)	60°C 90~95%RH 1000h	
Vibration	10~57Hz Amplitude 0.75mm 58~500Hz 1G Sweep:11min 60min each axis X,Y,Z	
Shock	100G 11ms Harf-sine pulse 1 time each axis ±X,Y,Z	

PRODUCT NAME or MODEL,TITLE

DC-AC INVERTER CXA-0271

TDK CORPORATION

NAME OF DRAWING

PRODUCT DRAWING

DRAWING No.

CTR-0728-A

PAGE

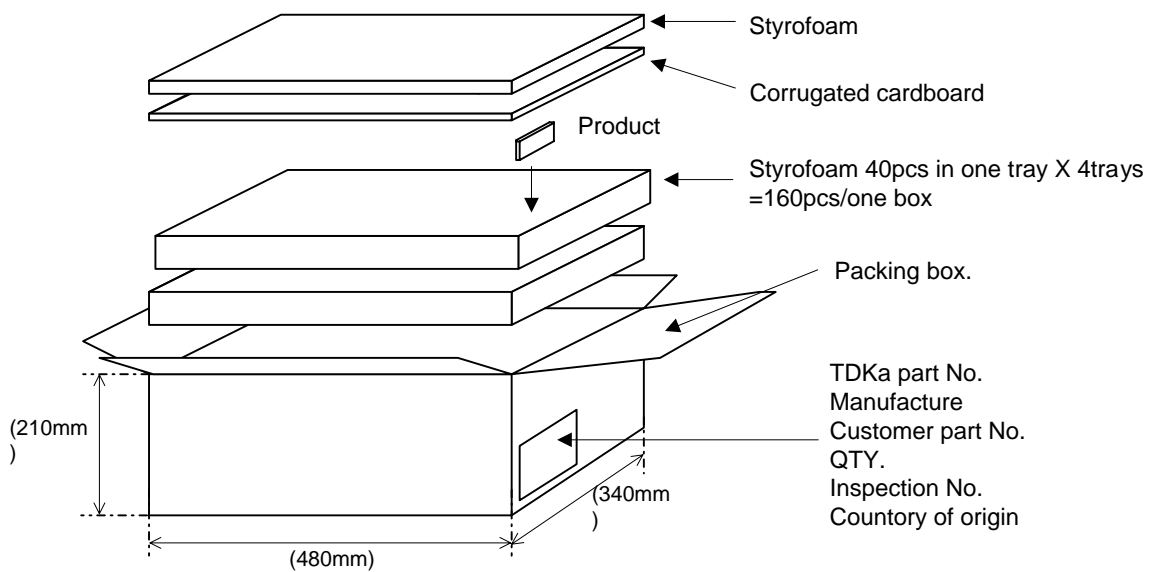
6

[6] Packing and Marking

A shipping box is packaged to avoid from water or damage. Following items are printed on the box.

- 6-1. TDK part No. CXA-0271
- 6-2. Manufacture TDK
- 6-3. Customer part No.
- 6-4. QTY.
- 6-5. Inspection No.
- 6-6. Country of origin

Packing style as under Fig. (160 going in with a standard.)



[7] Others

7-1. Test cond.

A normal test condition :Temperature (20±15°C), Humidity (65±20%RH).

7-2. Std warrantry

One year after shipment. This covers any defects in material or workmanship. Defective units will be replaces at no charge.

7-3. Others

TDK and customer are to discuss changes, problems, and modifications and etc, when needed.

PRODUCT NAME or MODEL, TITLE			
DC-AC INVERTER CXA-0271			
TDK CORPORATION	NAME OF DRAWING	DRAWING No.	PAGE
	PRODUCT DRAWING	CTR-0728-A	7